

oerlikon
metco

RotaPlasma HS1

Boost the productivity of your cylinder bore coating process

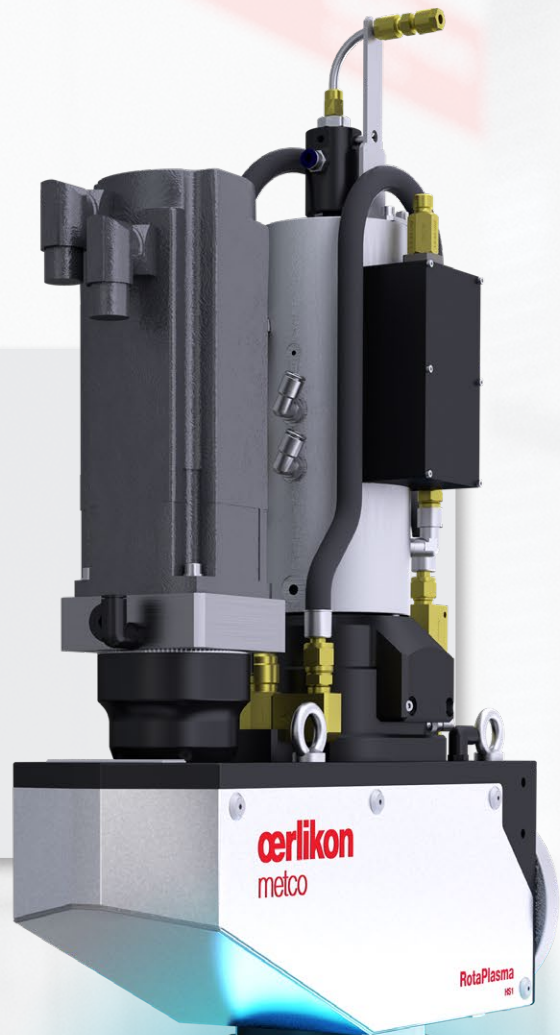


**Plasma
Spray**

Don't compromise on cost or quality

The new Oerlikon Metco RotaPlasma™ HS1 takes plasma sprayed powder coating to a new level. Dramatically higher coating speeds not only cut your process time but also significantly improve coating quality.

- Benefit from the flexibility and performance of plasma sprayed powder coatings at a competitive cost per bore
- Achieve up to four times faster coating process speed compared to the original RotaPlasma
- All but eliminate downtime from gun changeover and significantly reduce maintenance requirements

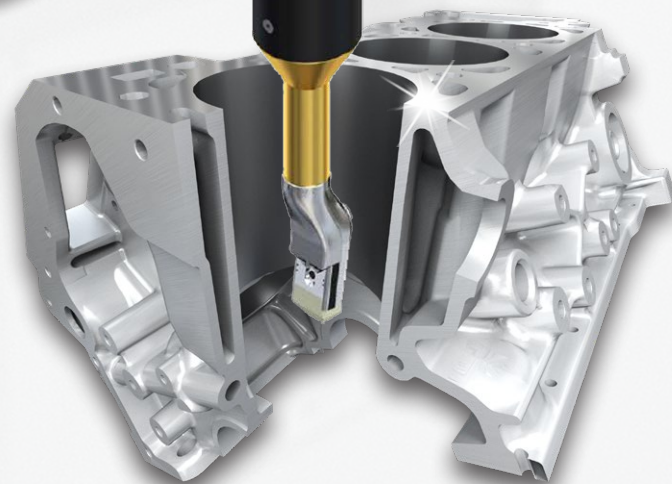


Extend your application possibilities

Oerlikon Metco's RotaCoupler™, an integral part of the RotaPlasma HS1 system, lets you continue where other technologies fail:

- Easily coat complex geometrical components such as monobloc cylinders and cylinder diameters down to 50mm
- Improve the coating quality of small diameters by combining faster rotational speed with a flexible powder feed rate
- Eliminate spray distance and angle adjustments and benefit from excellent positioning accuracy

50mm
Ø
>200mm



Double the impact of your investment budget



The increased efficiency of the new RotaPlasma HS1 significantly reduces your cost per bore compared to traditional plasma sprayed powder coatings.



Cut your processing time by 75%



The Oerlikon Metco RotaPlasma HS1 completes your surfacing process in record time.

- Significantly higher rotation speeds and higher powder feed rates can quadruple your productivity compared to the previous model
- Instead of building a second coating line, simply upgrade your process with RotaPlasma HS1 to meet your throughput requirements

Optimize your production uptime



Gun changeover and maintenance of the new RotaPlasma HS1 is a snap compared to other rotating spray systems on the market.

- The innovative gun exchange mechanism RotaCoupler reduces changeover time to mere seconds
- In addition, the self-cleaning rotary feed-through device and up to 10 times longer spare parts lifetime drastically reduce maintenance efforts

Wherever you are, we are by your side for the entire life of your system

We are where you are! Oerlikon Metco's global sales and service network is your insurance of local 'cradle-to-grave' support whenever you need it.

Oerlikon Metco AG, Wohlen
Rigackerstrasse 16
5610 Wohlen
Switzerland
Tel. +41 56 618 81 81

Oerlikon Metco (Japan) Ltd.
3-4-2 Hikawadai
Nerima-ku
Tokyo 179-0084
Japan
Tel. +81 3 5920 3301

Oerlikon Metco (China) Ltd.
539 Bai An Road
Shanghai Building 1
201814 Shanghai
People's Republic of China
Tel. +86 21 6708 7000

Oerlikon Metco (US) Inc.
1101 Prospect Ave
Westbury NY 11590-0201
United States of America
Tel. +1 800 638 2699



Information is subject to change
without prior notice.

BRO-0030.3 – RotaPlasma HS1
© 2023 Oerlikon Metco

www.oerlikon.com/metco
info.metco@oerlikon.com

oerlikon
metco