

## Product Data Sheet

### Metco 5AF Air Flowmeter for Combustion Spray

**The Metco™ 5AF is a highly accurate, rugged and reliable instrument for regulating and measuring the flow of compressed air in a manual powder or wire combustion spray system.**

The Metco 5AF has a precision needle valve, actuated by an adjustment knob on the front panel, that controls the flow of air. Readout is provided in both Metric (NLPM) and U.S. Customary (SCFM) units.

A slide indicator, which can be clamped in place, is provided on the meter to indicate the proper air flow setting. This allows an easy and quick check of process air flow at a distance and without the need to read the exact scale marking.

Hook up and use of the Metco 5AF is simple, and it can be wall-mounted at a location that is convenient for the operator.

#### 1 General Description

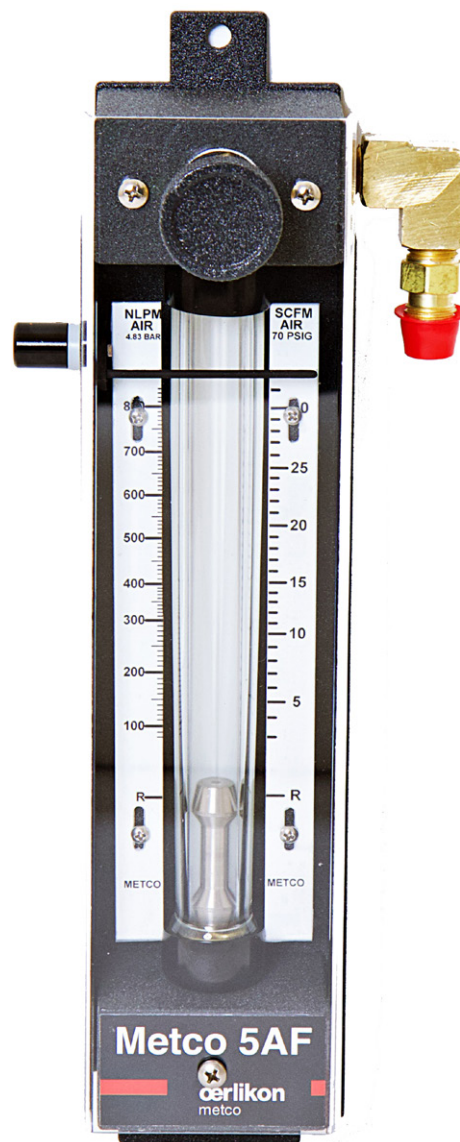
The Metco 5AF Air Flowmeter incorporates a stable float that maintains a steady position without excessive bounce.

Observation of the air flow during operation can warn the operator of possible obstructions or leaks in the air supply. The use of the sliding pointer indicator facilitates monitoring of the air flow for such an event.

The Metco 5AF has been designed for use with clean, dry and oil-free compressed air, supplied from an air compressor or cylinders. Whatever the source of the compressed air, it is important that appropriate pressure regulators be used upstream from the Metco 5AF unit. To ensure the best possible air quality, customers are encouraged to use the Metco 6A Air Cleaning Unit, which also regulates air pressure for safe operation of the Metco 5AF unit.

#### 2 Features and Benefits

- Economical and simple: Inexpensive to own and operate; minimal training required
- Precise: Provides precision metering of compressed air flow for consistent results
- Safe: Built in safety features, plastic shields for safe operation
- Convenient: Easily mounts on a wall
- Easy to read: Sliding indicator and flow units in both NLPM and SCFM

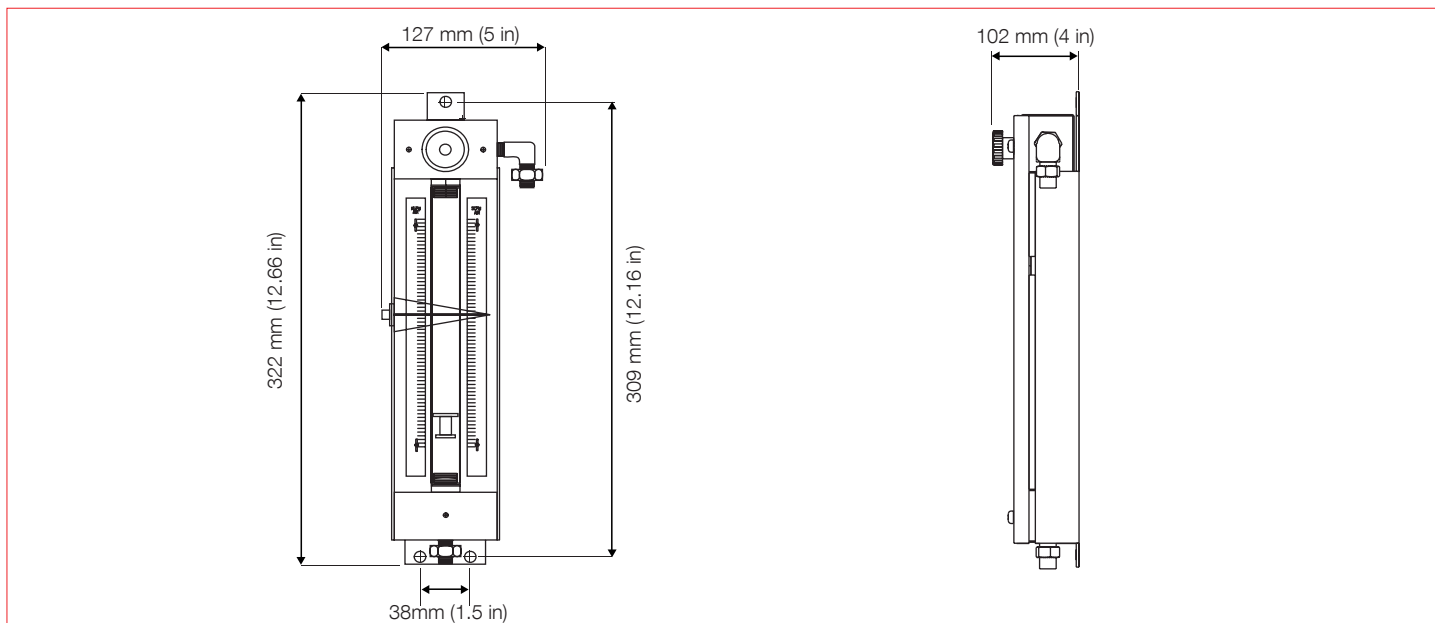


5AF Gas Flowmeter

- Rugged design: Built for long service life with very little maintenance
- Detachable flow scales: Facilitates calibration of the Metco 5AF
- Complete: Supplied with air hose for connection to air supply

### 3 Technical Data

#### 3.1 Dimensions



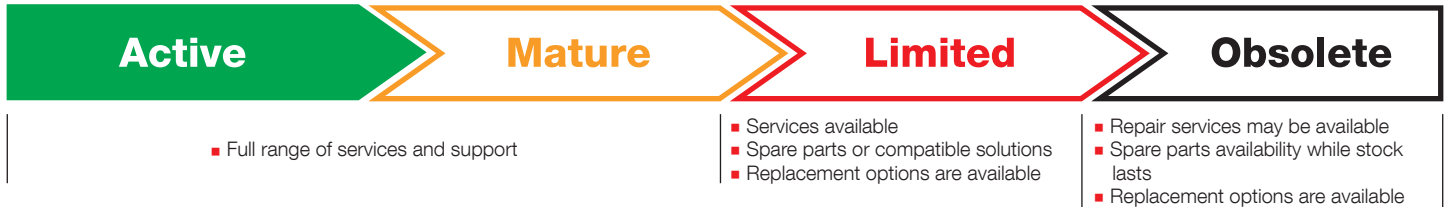
#### 3.2 Specifications

<b>Meter</b>		
Readout units	NLPM	SCFM
<b>Read-out scale</b>		
Flow	0 to 800 NLPM at 4.83 bar	0 to 30 SCFM at 70 psi
<b>Maximum operating pressure</b>		
Pressure	6.9 bar	100 psi
<b>Connections (inlet and outlet)</b>		
Inlet	1/4 NPT Female	
Outlet	CGA022 9/16-18 right-hand thread	
<b>Weight</b>		
Approximate	2.3 kg	5 lbs

Information is subject to change without prior notice.

## 4 Life Cycle Status and Support Options

Our four-phase life cycle model keeps you informed about available services and support options throughout the life span of your equipment.



### 4.1 Metco 5AF Status

- Current Life-Cycle Status: Active
- Inception Date: September 2020

During the Active phase, you have our full support and range of services. Using our life-cycle services will keep your equipment in the best operating condition.

### 4.2 Keeping You Informed

We will notify you early and transparently about your options as your equipment enters into the next life-cycle phase, providing your equipment is registered with Oerlikon Metco.

#### 4.2.1 Life-Cycle Notification

Provides early information about the upcoming life-cycle phase change and how your equipment can be best supported.

#### 4.2.2 Life-Cycle Status Statement

Provides information about the current life-cycle status and all available options and services to maintain your equipment in best condition.

### 4.3 The Oerlikon Metco Difference

Benefit from our selection of comprehensive services designed to ensure:

- Consistent spray quality, with little to no parameter shift
- Compliance with your ISO quality requirements
- Maximized equipment uptime
- Extended overall equipment lifetime
- Fast availability of spare parts

### 4.4 Your Best Value for Peak Performance

Choose from our broad portfolio of services to keep your equipment in top condition now and in the future.

- Calibrations
- Repair service

Take advantage of an Oerlikon Metco Service Agreement tailored to your specific needs.

For more information on your service and support options, please contact your Oerlikon Metco Account Manager.