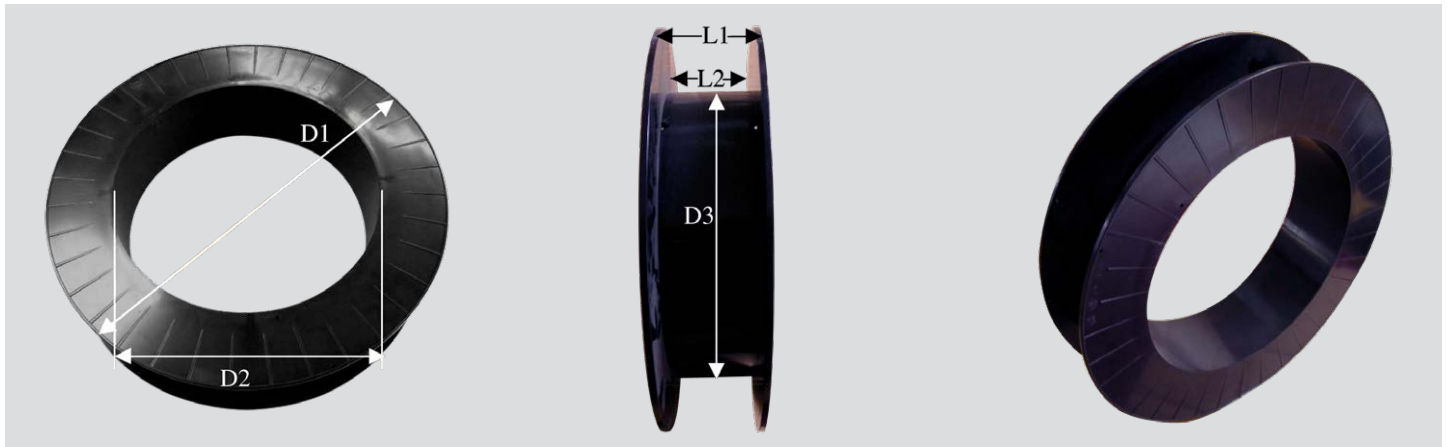


Special packaging for aluminum-based wires

Oerlikon Metco offers special packaging for aluminum-based wires on a special order basis. All orders for aluminum-based wires with special packaging require additional lead time. Please note that K500 and E560 spools are provided on an

exchange basis and this cost is not included in our selling price. Failure to return these spools to Oerlikon Metco will result in additional charges to the customer.

Hasp spool 460

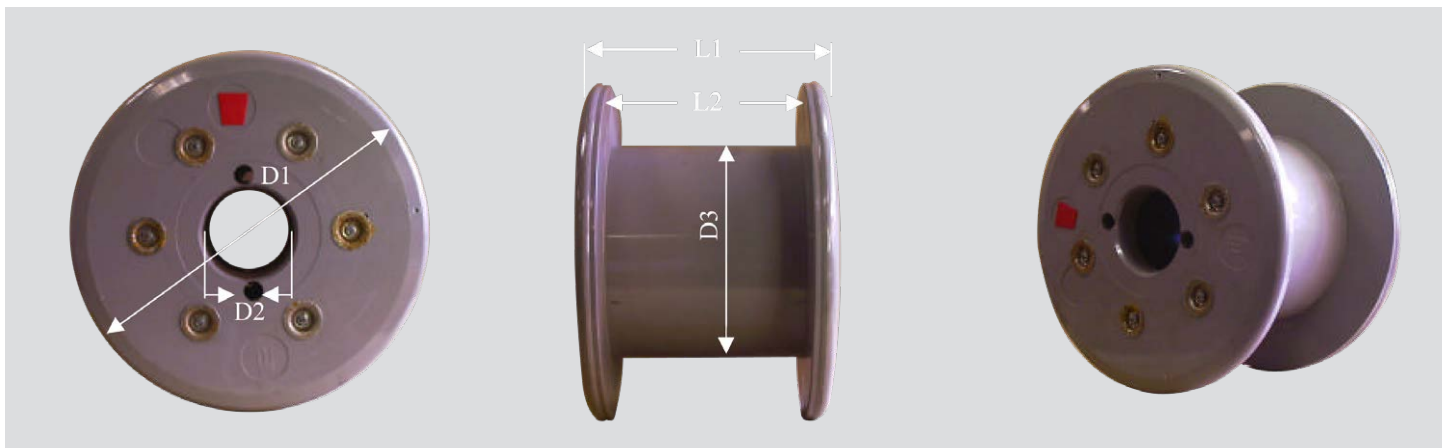


D1: 460 mm 18.1 in
D2: 305 mm 12.0 in

D3: 319 mm 12.6 in
L1: 105 mm 4.1 in
L2: 91 mm 3.6 in

Spool weight: 1.85 kg 4.1 lb
Capacity: ~17 kg 37.5 lb
DIN: 8559

Plastic spool K500



D1: 500 mm 19.7 in
D2: 127 mm 5.0 in

D3: 315 mm 12.4 in
L1: 350 mm 13.8 in
L2: 280 mm 11.0 in

Spool weight: 8.4 kg 18.4 lb
Capacity: ~60 kg 132.3 lb
DIN: 46399

Iron spool E560



D1: 560 mm 22.0 in
 D2: 127 mm 5.0 in

D3: 314 mm 12.4 in
 L1: 400 mm 15.7 in
 L2: 365 mm 14.4 in

Spool Weight: 55 kg 121 lb
 Capacity: ~100 kg 220 lb
 DIN: 46397

Iron spool E560



D1: 500 mm 19.7 in
 D2: 300 mm 11.8 in
 D3: 750 mm 29.5 in

Drum Weight: 8 kg 17.6 lb
 Capacity: 60 kg 132.3 lb

Information is subject to change without prior notice.