

## Material product flyer

### Thermal spray wire packaging options and descriptions

**Oerlikon Metco supplies thermal spray wires for the electric arc wire and combustion wire processes in a number of different package types designed to fit various equipment and meet the production needs of our customers. In addition we supply wire spool adapters for our electric arc wire equipment, and a wire holder for our combustion wire equipment.**

The Oerlikon Metco product portfolio has a wide array of both material and equipment products for the electric arc wire and combustion wire processes. We offer a complete wire portfolio for both processes that include pure metal and alloyed wires, as well as cored wires for the electric arc wire process. Some of these wires are offered in several different packaging options; for example, different spool types or production pack drums.

Adapters are available for specific Oerlikon Metco electric arc spray equipment to convert from the use of one type spool to another. Please see the section on Spool Adapters.

For the combustion wire process, Oerlikon Metco offers our 2W Wire Holder, designed to hold the wire coils commonly used for this process and straighten them during use.



#### 1 Availability

Please note that many of these options are offered on a regional basis only and may not be available for every wire product. For more information on the availability of packaging options for arc wires, please refer to the Oerlikon Metco Thermal Spray Materials Guide or contact your local sales representative.

Spool type	Spray process	Availability <sup>a</sup>	Description abbreviation <sup>b</sup>
Plastic Dorn Spool	Electric Arc Wire	Global	PR
Hasp Spool	Electric Arc Wire	Europe	HS
Wire Basket	Electric Arc Wire	Europe	WB
Coil	Combustion Wire	Global	C
Drum (Production Packs)	Electric Arc Wire and Combustion Wire	Global	D

<sup>a</sup> Spool types limited to specific regions can be made available in other regions on a special order basis. Excess freight and duty may apply.

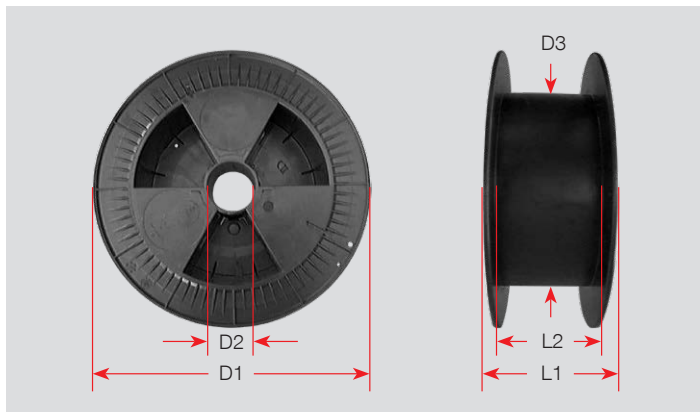
<sup>b</sup> Appears in the order description for the product.

## 2 Spool descriptions

### 2.1 Dorn spools

Also known as plastic reels or plastic spools, dorn spools are available for most electric arc wires in the Oerlikon Metco product portfolio on a global basis. Dorn spools fit Oerlikon Metco SmartArc™ and older Oerlikon Metco electric arc equipment without the need for adapters. Other Oerlikon Metco arc equipment (e.g. Systems formerly under the “OSU” brand) require adapters.

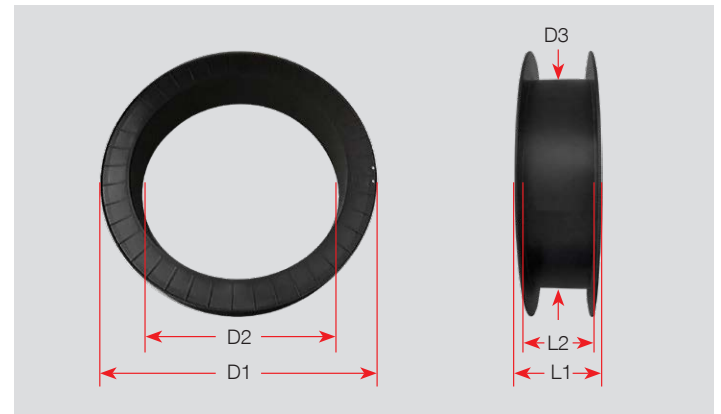
D1:	300.0 mm	11.8 in
D2:	51.5 mm	2.0 in
D3:	212.0 mm	8.3 in
L1:	103.0 mm	4.1 in
L2:	90.6 mm	3.6 in
Spool weight:	0.70 kg	1.5 lb
Capacity:	4.5 – 15 kg	10 – 33 lb
DIN:	8559	



### 2.2 Hasp spools

Available for selected wire products in Europe. Hasp spools cannot be used with the Oerlikon Metco SmartArc or older Oerlikon Metco electric arc equipment. Standard for other Oerlikon Metco arc equipment (e.g. Systems formerly under the “OSU” brand). Dimensions shown are for both standard and large capacity spool sizes.

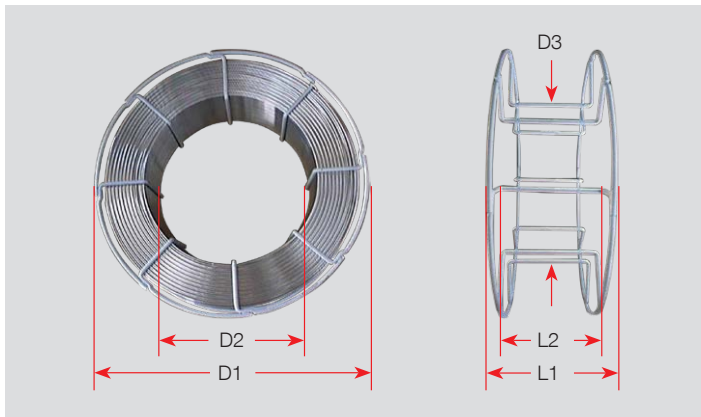
D1:	390.0/460.0 mm	15.4/18.0 in
D2:	305.0/305.0 mm	12.0/12.0 in
D3:	310.0/319.0 mm	12.2/12.6 in
L1:	89.0/105.0 mm	3.5/4.1 in
L2:	79.0/91.0 mm	3.1/3.6 in
Spool weight:	0.55/1.85 kg	1.2/4.1 lb
Capacity:	~ 8/17 kg	17.6/37.5 lb
DIN:	8559	



### 2.3 Wire basket spoons

Available for selected wire products in Europe. Wire baskets can be used with most Oerlikon Metco electric arc equipment using an adapter.

D1:	300.0 mm	11.8 in
D2:	180.0 mm	7.1 in
D3:	190.0 mm	7.5 in
L1:	97.0 mm	3.8 in
L2:	88.0 mm	3.5 in
Spool weight:	0.36 kg	0.8 lb
Capacity:	~ 7 kg	13.2 lb



### 2.4 Coils

Globally available for a wide array of wire products for the combustion wire process. The Oerlikon Metco 2W Wire Holder is recommended for use with coils.

D2*:	350.0 – 450.0 mm	13.8 – 17.7 in
Capacity:	10 – 35 kg	22 – 77 lb

\* Nominal diameters. Actual coil inside diameter may be somewhat larger or smaller. The Oerlikon Metco 2W adjusts to accommodate varying diameters.



### 2.5 Drums

Globally available for high volume corrosion wires. Compatible with all Oerlikon Metco electric arc and combustion wire equipment, as wire is fed directly out of the drum.

	Origin: U.S.A.		Origin: Europe	
H:	787.4 mm	31 in	814 mm	32.0 in
D:	520.7 mm	20.5 in	517 mm	20.3 in
Capacity:	227 kg	500 lb	250 kg	551 lb

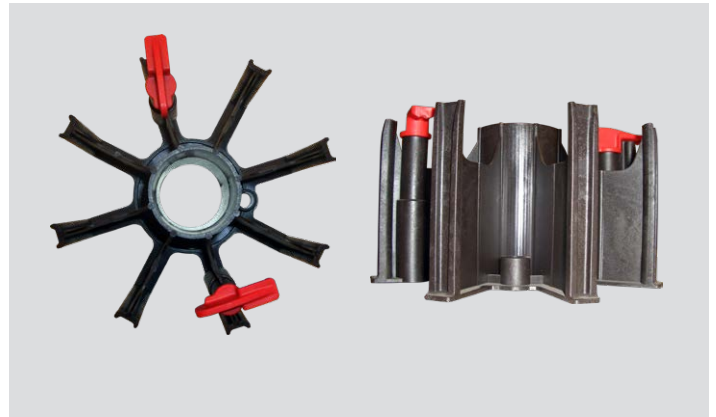


### 3 Adapters

To use	On equipment designed for	Adapter order number	Quantity per kit
Dorn Spools	Hasp Spools	1066781	2
Wire Baskets	Dorn Spools	1052105	2
Wire Baskets	Hasp Spools	1066781 + 1052105	2



Adapter 1066781



Adapter 1052105

Information is subject to change without prior notice.