

Assembly dimensions

pump model	feed capacity cm ³ /rev	A øh11 mm	B mm	C mm	D øh6 mm	E mm	stuffing box tightening torque Nm	weight ca. kg	max.counter- pressure at outlet bar
GMZ51D	0.05	105	128	65	10	12	4	4.2	80
GMD11D	0.1	105	129	66	10	12	4	4.3	80
GMD31D	0.3	105	133	70	10	12	4	4.6	80
GMD61D	0.6	105	130.5	67.5	12	14	6	4.8	80
GM121D	1.2	105	133.9	70.9	12	14	6	5	80
GM301D	3	105	144	81.3	12	14	6	5.2	80
GM601D	6	120	131.5	68.5	12	22.5	6	8.8	80
GMA21D	12	120	140	77	12	22.5	6	9.6	80
GMB01D	20	120	150.3	87.3	12	22.5	6	10.5	80

Designation of pump type

Pump model - seal system

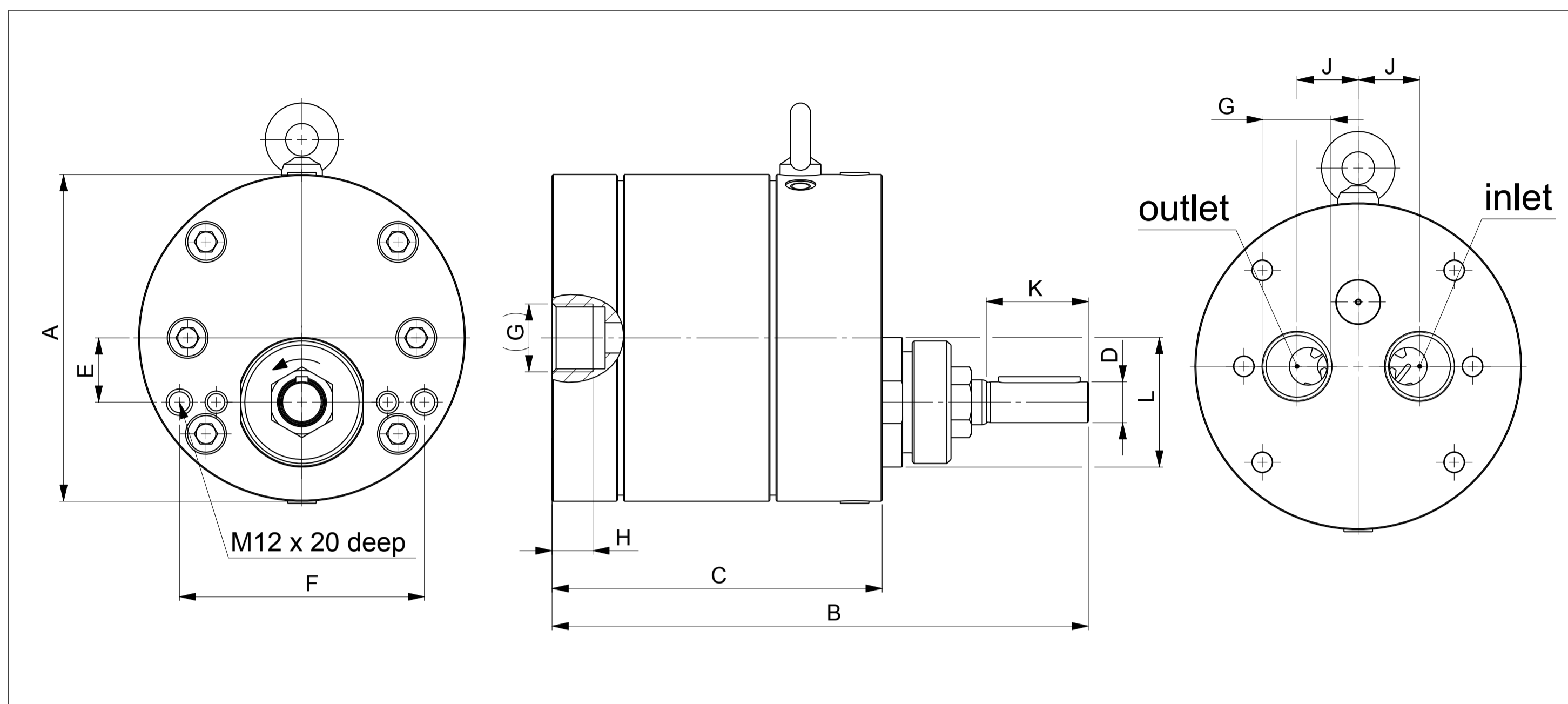
- 30R of rust-and acid-proof steel, with stuffing box packing
- 40R of rust-and acid-proof steel, with shaft sealing ring

- buffer fluid

- 110Z with buffer fluid
- 115Z without buffer fluid

Example: GM601D-30R-110Z is a Barmag gear metering pump with feed capacity of 6 cm³/rev, of rust-and acid-proof steel, with stuffing box packing, and buffer fluid.

Technical Data Sheet GM-Series
Execution with stuffing box packing and shaft sealing ring



Assembly dimensions

pump model	feed capacity cm ³ /rev	A	B	C	D	E	F	G	H	J	K	L	stuffing box tightening torque Nm	weight ca. kg	max.counter- pressure at outlet bar
		øh11 mm	mm	mm	øh6 mm	mm	mm	mm	ISO228	mm	mm	mm			
GMV51D	50	160	226.9	125.9	20	31.5	120	G1	20	30	50	63.5	12	19.2	80
GMH10D	100	160	262.7	161.7	20	31.5	120	G1	20	30	50	63.5	12	24	80
GMH15D	150	200	309.6	189.1	25	40	155	G1 1/2	24	35	60	83	23	45.7	80
GMH20D	200	200	334.3	213.8	25	40	155	G1 1/2	24	35	60	83	23	51	80

Designation of pump type

Pump model

- seal system

- 30R of rust-and acid-proof steel, with stuffing box packing
- 40R of rust-and acid-proof steel, with shaft sealing ring

- buffer fluid

- 110Z with buffer fluid
- 115Z without buffer fluid

Example: GMV51D-30R-110Z is a Barmag gear metering pump with feed capacity of 50 cm³/rev, of rust-and acid-proof steel, with stuffing box packing, and buffer fluid.